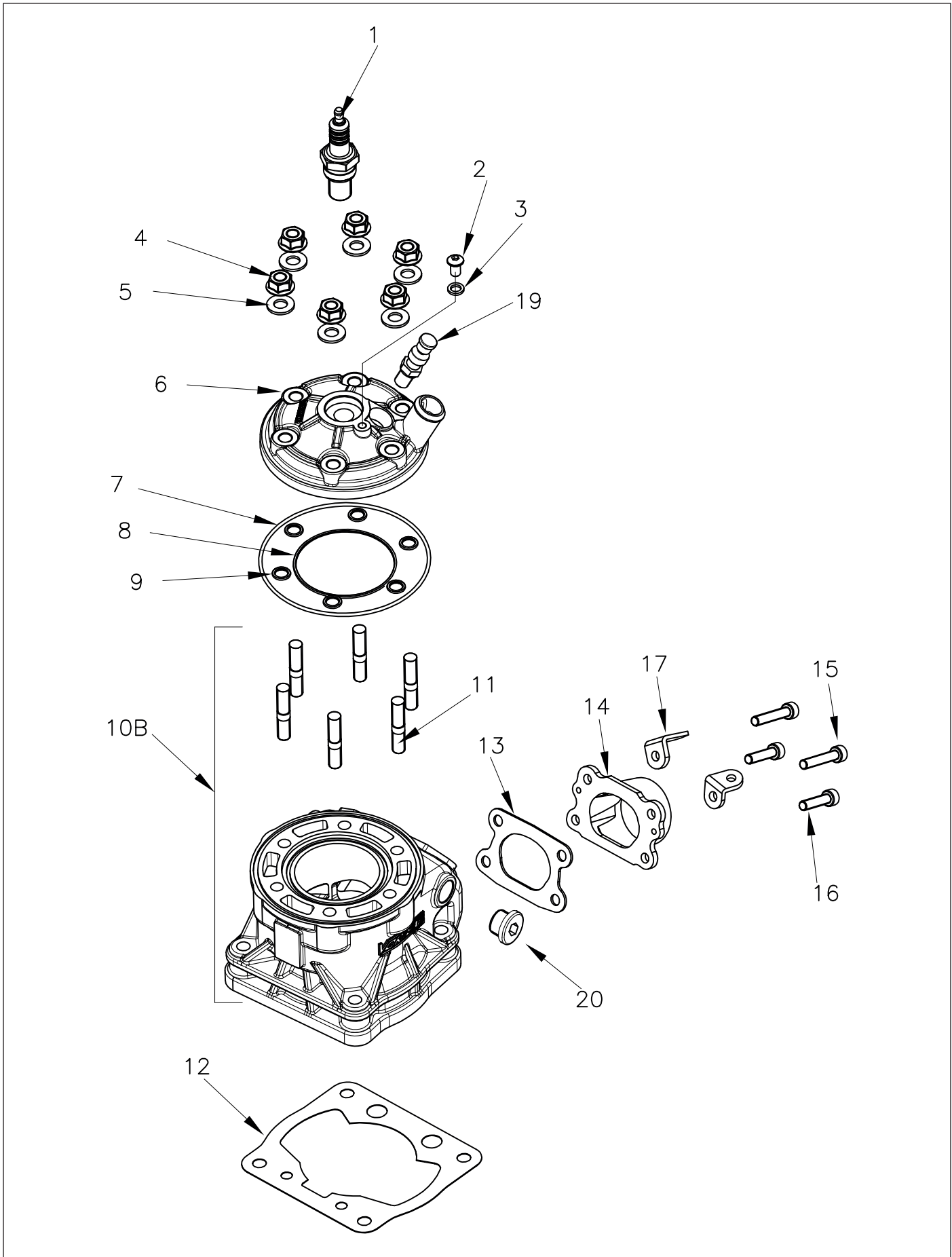
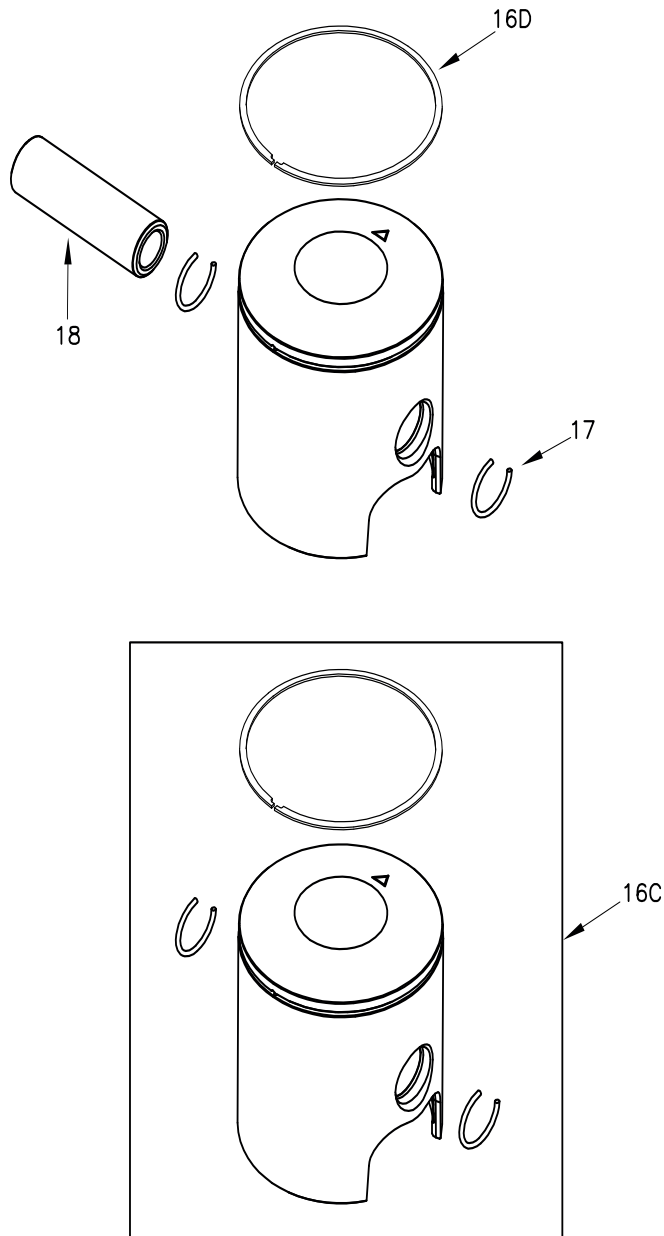

DJT



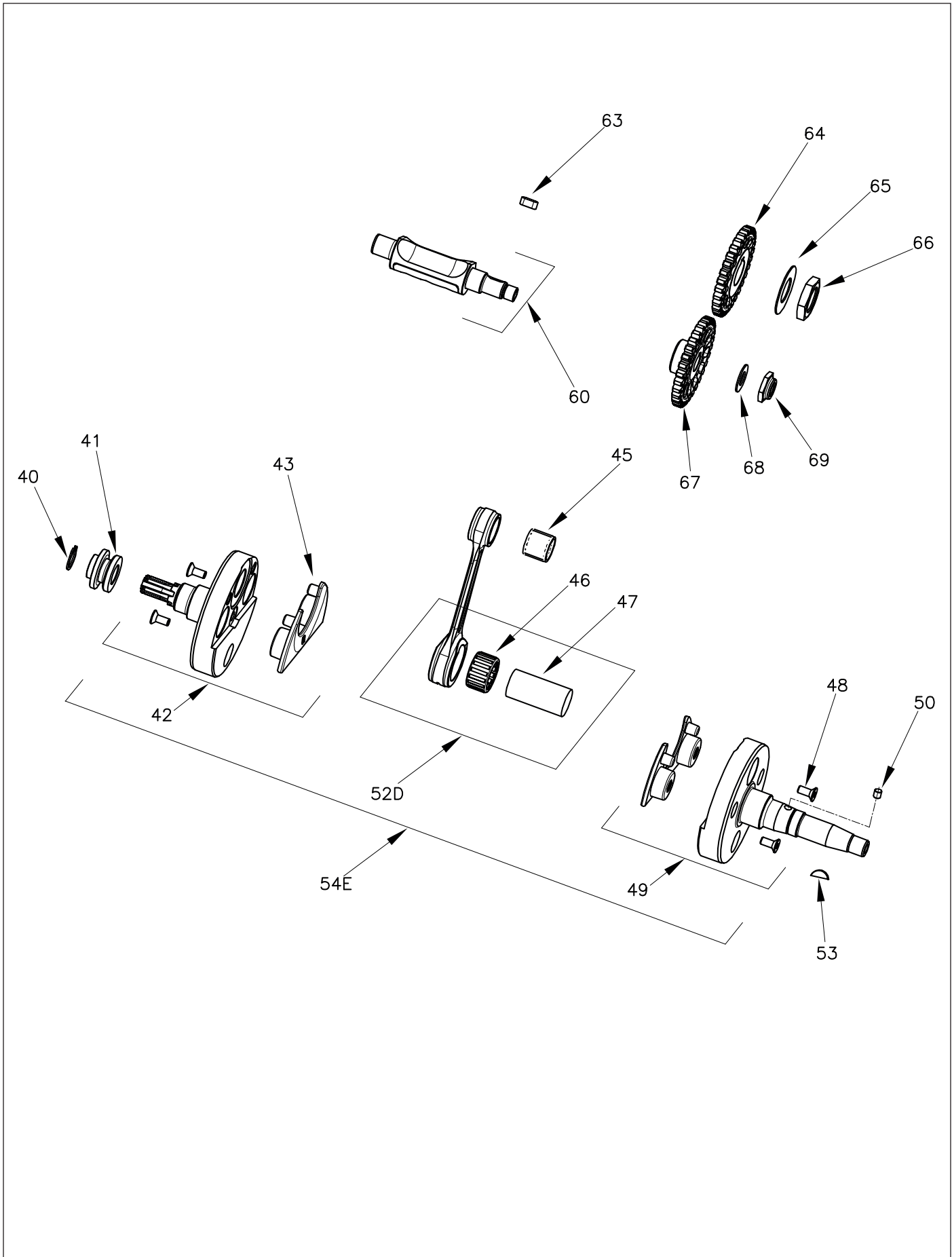


Rif.	Cod.	Descrizione	Description	N°	€
1	W003	Candela NGK b10 eg	Spark plug NGK b10 eg	1	9,70
2	W511/10	Vite TBCE M6x10	Roundhead screw M6x10		
3	W10662	Guarnizione rame 6x10x1,5	Copper gasket 6x10x1,5		
4	W530/10FL	Dado M8 chiave 10 flangiato	Flange nut M8x10		
5	W560/17	Rondella 8,4x17x1,6 ZNB	Washer 8,4x17x1,6 ZNB		
6	W10010/DDJ	Testa motore	Engine head	1	144,20
-	W630/005KF	Guarnizione testa ottone crudo 0,05	Brass head gasket 0,05	1	5,00
-	W630/10KF	Guarnizione testa ottone crudo 0,10	Brass head gasket 0,10	1	5,00
-	W630/20KF	Guarnizione testa ottone crudo 0,20	Brass head gasket 0,20	1	5,00
-	W630/30KF	Guarnizione testa ottone crudo 0,30	Brass head gasket 0,30	1	5,00
7	W629	O-ring 3400 testa/cilindro NBR	O-ring cylinder/head 3400 NBR	1	0,70
8	W620	O-ring testa 2237 NBR	O-ring head 2237 NBR	1	1,20
9	W627	O-ring prigionieri 2031	O-ring stud bolt 2031		
10B	W7000703000200	Cilindro motore cpl	Complete cylinder	1	736,90
11	W10043/RVZ	Prigioniero testa/cilindro M8x56	Cylinder/head studbolt M8x56	1	0,70
12	W10104/KF1	Guarnizione base cilindro spessore 0.1	Cylinder basis gasket 0,1	1	1,70
12	W10104/KF2	Guarnizione base cilindro spessore 0.2	Cylinder basis gasket 0,2	1	1,70
12	W10104/KF3	Guarnizione base cilindro spessore 0.3	Cylinder basis gasket 0,3	1	1,70
12	W10104/KF4	Guarnizione base cilindro spessore 0.4	Cylinder basis gasket 0,4	1	1,70
12	W10104/KF5	Guarnizione base cilindro spessore 0.5	Cylinder basis gasket 0,5	1	1,70
13	W670/RKF	Guarnizione scarico	Exhaust gasket	1	1,70
14	W10930/DDJ	Collettore scarico	Exhaust manifold	1	53,50
15	W510/14	Vite brugola M6x14 8.8	Socket-head screw M6x14 8,8		
16	W510/12	Vite brugola M6x12 8.8	Socket-head screw M6x12 8,8		
17	W10928/DDS	Piastrina collettore scarico	Ear connector for the spring exhaust manifold	1	1,20
19	W10012/DVS	Valvola decompressione	Decompression valve	1	22,30
20	W2035/ROK	Tappo olio TCE4E M18 x1,5 con ralla	Oil plug TCE4M M18 x1,5 with washer	1	2,30

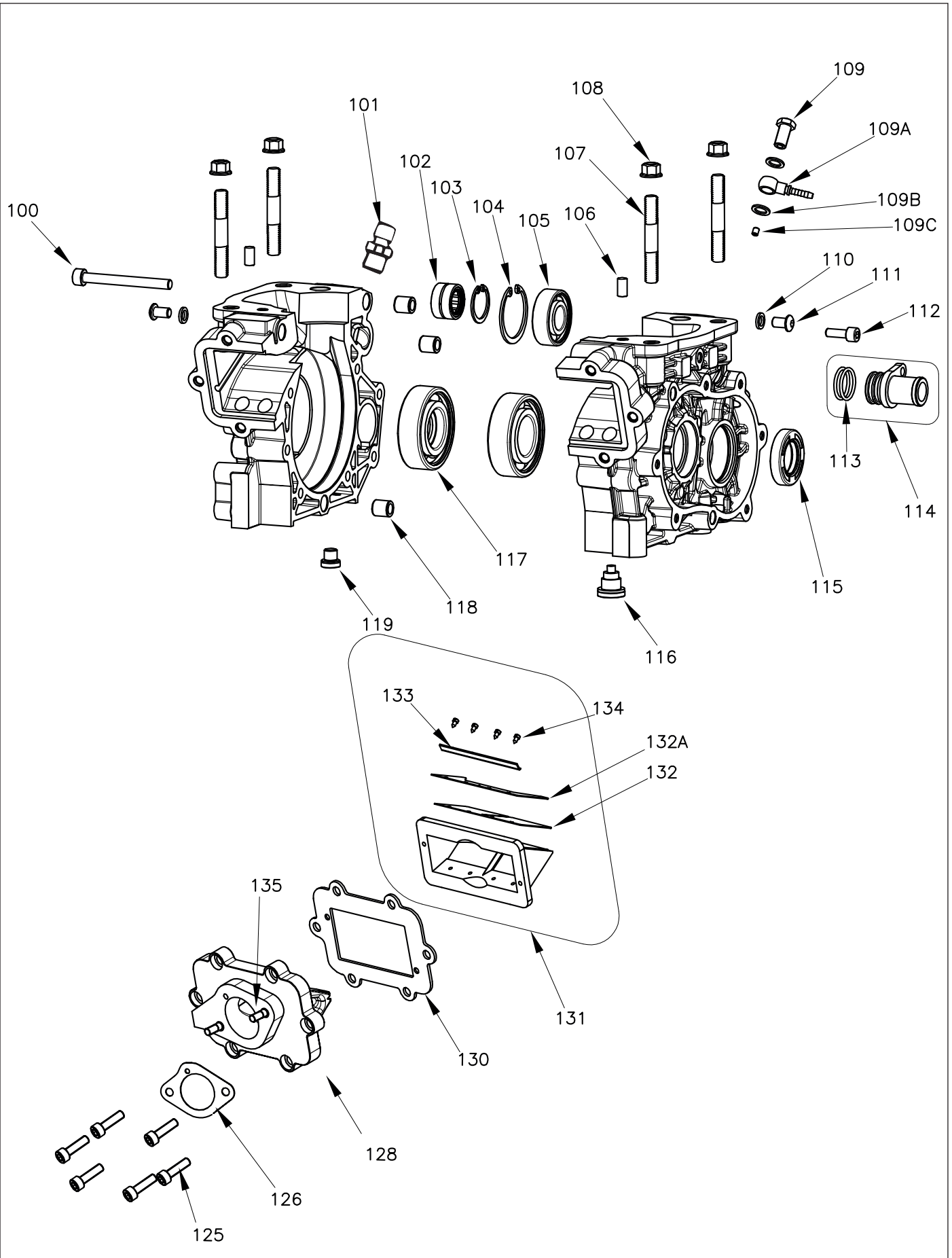


16D		
SEGMENTO	DALLA SELEZIONE	ALLA SELEZIONE
PISTON RING	FROM SELECTION	TO SELECTION
SA 10	54.00	
SA 12	54.01	54.02
SA 15	54.03	54.07
SA 20	54.08	54.11
SA 25	54.12	54.15

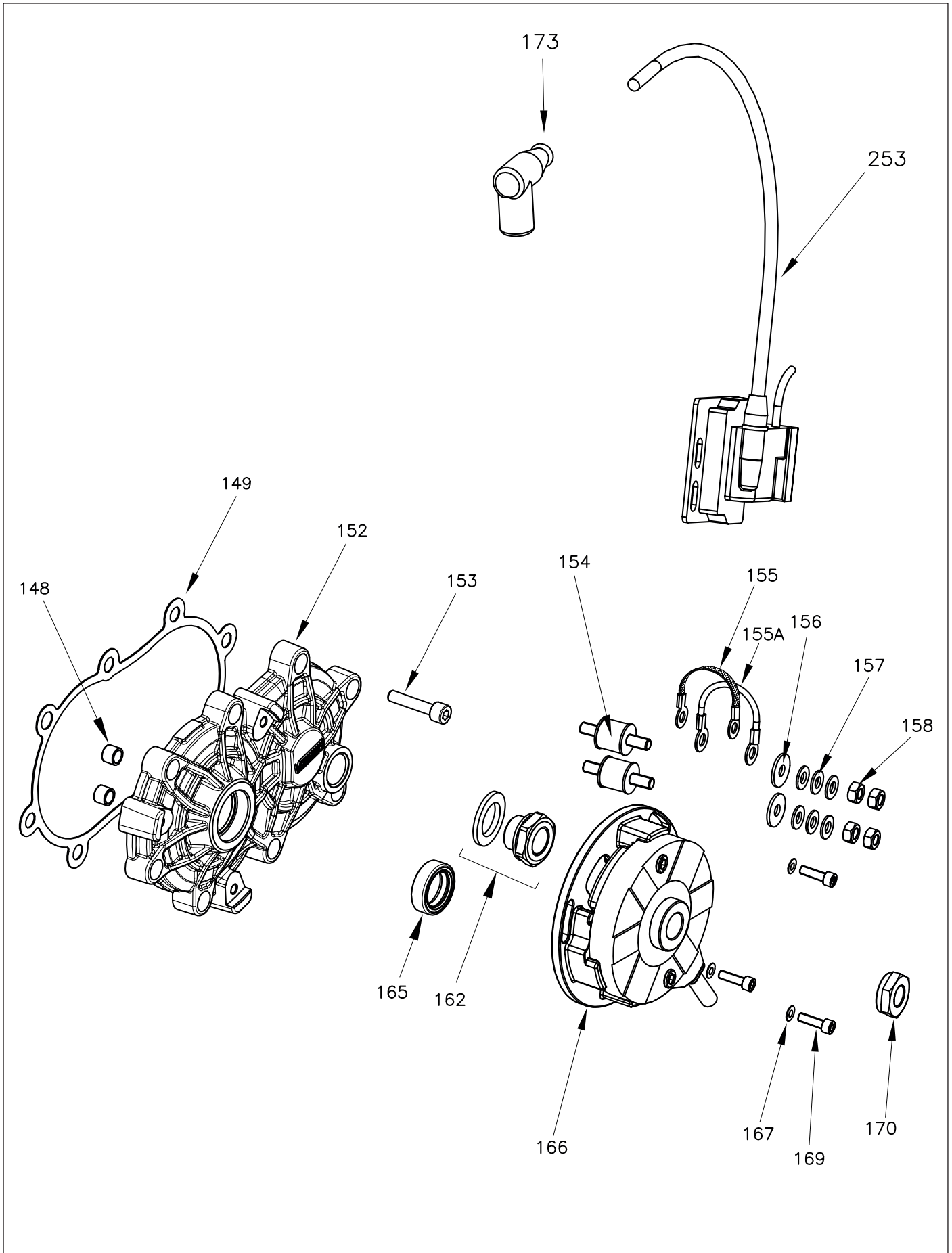
Rif.	Cod.	Descrizione	Description	N°	€
16C	W700011100070A	Pistone completo 54.00 A.P.	Complete piston A.P. 54.00	1	94,70
16C	W700011100070B	Pistone completo 54.01 A.P.	Complete piston A.P. 54.01	1	94,70
16C	W700011100070C	Pistone completo 54.02 A.P.	Complete piston A.P. 54.02	1	94,70
16C	W700011100070D	Pistone completo 54.03 A.P.	Complete piston A.P. 54.03	1	94,70
16C	W700011100070E	Pistone completo 54.04 A.P.	Complete piston A.P. 54.04	1	94,70
16C	W700011100070F	Pistone completo 54.05 A.P.	Complete piston A.P. 54.05	1	94,70
16C	W700011100070G	Pistone completo 54.06 A.P.	Complete piston A.P. 54.06	1	94,70
16C	W700011100070H	Pistone completo 54.07 A.P.	Complete piston A.P. 54.07	1	94,70
16C	W700011100070I	Pistone completo 54.08 A.P.	Complete piston A.P. 54.08	1	94,70
16C	W700011100070J	Pistone completo 54.09 A.P.	Complete piston A.P. 54.09	1	94,70
16C	W700011100070K	Pistone completo 54.10 A.P.	Complete piston A.P. 54.10	1	94,70
16C	W700011100070L	Pistone completo 54.11 A.P.	Complete piston A.P. 54.11	1	94,70
16C	W700011100070N	Pistone completo 54.12 A.P.	Complete piston A.P. 54.12	1	94,70
16C	W700011100070P	Pistone completo 54.13 A.P.	Complete piston A.P. 54.13	1	94,70
16C	W700011100070Q	Pistone completo 54.14 A.P.	Complete piston A.P. 54.14	1	94,70
16C	W700011100070R	Pistone completo 54.15 A.P.	Complete piston A.P. 54.15	1	94,70
16C	W700011100080A	Pistone completo 54.00 V.P.	Complete piston V.P. 54.00	1	94,70
16C	W700011100080B	Pistone completo 54.01 V.P.	Complete piston V.P. 54.01	1	94,70
16C	W700011100080C	Pistone completo 54.02 V.P.	Complete piston V.P. 54.02	1	94,70
16C	W700011100080D	Pistone completo 54.03 V.P.	Complete piston V.P. 54.03	1	94,70
16C	W700011100080E	Pistone completo 54.04 V.P.	Complete piston V.P. 54.04	1	94,70
16C	W700011100080F	Pistone completo 54.05 V.P.	Complete piston V.P. 54.05	1	94,70
16C	W700011100080G	Pistone completo 54.06 V.P.	Complete piston V.P. 54.06	1	94,70
16C	W700011100080H	Pistone completo 54.07 V.P.	Complete piston V.P. 54.07	1	94,70
16C	W700011100080I	Pistone completo 54.08 V.P.	Complete piston V.P. 54.08	1	94,70
16C	W700011100080J	Pistone completo 54.09 V.P.	Complete piston V.P. 54.09	1	94,70
16C	W700011100080K	Pistone completo 54.10 V.P.	Complete piston V.P. 54.10	1	94,70
16C	W700011100080L	Pistone completo 54.11 V.P.	Complete piston V.P. 54.11	1	94,70
16C	W700011100080N	Pistone completo 54.12 V.P.	Complete piston V.P. 54.12	1	94,70
16C	W700011100080P	Pistone completo 54.13 V.P.	Complete piston V.P. 54.13	1	94,70
16C	W700011100080Q	Pistone completo 54.14 V.P.	Complete piston V.P. 54.14	1	94,70
16C	W700011100080R	Pistone completo 54.15 V.P.	Complete piston V.P. 54.15	1	94,70
16D	W260/SA10	Fascia elastica 54,10x1,5	Piston ring 54,10x1,5	1	24,50
16D	W260/SA12	Fascia elastica 54,12x1,5	Piston ring 54,12x1,5	1	24,50
16D	W260/SA15	Fascia elastica 54,15x1,5	Piston ring 54,15x1,5	1	24,50
16D	W260/SA20	Fascia elastica 54,20x1,5	Piston ring 54,20x1,5	1	24,50
16D	W260/SA25	Fascia elastica 54,25x1,5	Piston ring 54,25x1,5	1	24,50
17	W10081	Anellino fermo spinotto d.15	Piston circlip d.15		
18	W10082	Spinotto pistone d.15	Piston pin d.15	1	7,90



Rif.	Cod.	Descrizione	Description	N°	€
40	W693/VLR	Seeger pignone	Seeger		
41	W690/3VLR	Pignone z-10	Sprocket z-10	1	31,40
41	W690/3VLR11	Pignone z-11	Sprocket z-11	1	31,40
41	W690/3VLR12	Pignone z-12	Sprocket z-12	1	31,40
41	W690/3VLR13	Pignone z-13	Sprocket z-13	1	31,40
42	W7000125000100	Semilabero CPL lato trazione	Drive side half crankshaft complete	1	186,40
43	W700012700010A	Guancia semialbero	Crankshaft stuffer	1	10,40
45	W10085	Gabbia piede biella 15x19x20 B2	Small end needle cage 15x19x20 B2	1	7,90
45	W10085/B4	Gabbia piede biella 15x19x20 B4	Small end needle cage 15x19x20 B4	1	7,90
46	W10320	Gabbia argentata iko 20x26x15 B2	Silver - plated cage iko 20x26x15 B2	1	34,60
46	W10320/B4	Gabbia argentata iko 20x26x15 B4	Silver - plated cage iko 20x26x15 B4	1	34,60
46	W10320/B6	Gabbia argentata iko 20x26x15 B6	Silver - plated cage iko 20x26x15 B6	1	34,60
47	W7000123000100	Asse accoppiamento (D20x42)	Crankshaft pin (D20x42)	1	17,40
48	W522/12	Vite TSCE M5x12	Flathead screw M5x12		
49	W7000125000200	Semilabero CPL lato accensione	Ignition side half crankshaft complete	1	198,10
50	W1766/ROK	Rullo D.5x5 T.P. G2	Roller d.5x5 T.P. G2		
52D	W7000121000400	Biella CPL (102)	Complete conrod (102)	1	307,40
53	W450	Chiavetta accensione 13x5x3	Woodruff key 13x5x3		
54E	W7000135000400	Albero motore CPL (54)	Complete crankshaft (54)	1	671,00
60	W7070128000100	Contralbero completo	Complete balancing shaft	1	262,90
63	W7024382001100	Linguetta UNI 6604-A 5x5x12	Key UNI 6604-A 5x5x12	1	0,40
64	W7000105700100	Ruota dentata motrice	Drive gear	1	87,00
65	W7024385000100	Molla a tazza DIN 2093 35,5x18,3x0,9 - T -	Spring washer DIN 2093 35,5x18,3x0,9 - T -	1	0,50
66	W7004281300300	Dado M18x1	Nut M18x1	1	2,50
67	W7000106700100	Ruota dentata condotta	Driven gear	1	92,30
68	W7024385000300	Molla a tazza DIN 2093 20x10,2x1 - T -	Spring washer DIN 2093 20x10,2x1 - T -	1	0,30
69	W7004281300400	Dado M10x1 SX	Left Thread nut M10x1	1	2,10



Rif.	Cod.	Descrizione	Description	N°	€
100	W510/55	Vite a brugola M6x55	Socket head screw M6x55		
101	W7024388000100	tappo di carico/sfiato olio CPL	Loading cap CPL oil vent	1	2,20
102	W7024600000100	Cuscinetto a rullini (14x22x13)	Roller Bearing (14x22x13)	1	30,70
103	W7024382000400	Seeger J22	Seeger J22		
104	W7024382000500	Seeger J35	Seeger J35		
105	W7024600000300	Cuscinetto radiale a sfere (15x35x11)	Radial roller bearing (15x35x11)	1	4,80
106	W1766/1R0K	Spina cilindrica 6x12	Cylindrical pin 6x12	1	0,70
107	W10042/1	Prigioniero base cilindro M8x55	Cylinder studbolt M8x55	1	2,30
108	W530/10FL	Dado M8 chiave 10 flangiato	Flange nut M8x10		
109	W7024381000400	Vite forata M10x1	Drilled screw M10x1	1	2,30
109A	W7024367000100	Raccordo portagomma orientabile	Hose swivel connector	1	3,80
109B	W7024383000100	Rondella 15,8x10,3x1,5	Washer 15,8x10,3x1,5		
109C	W7024384000200	Grano forato M6x1-0,3	Drilled pin M6x1-0,3	1	1,30
110	W10662	Guarnizione rame 6x10x1,5	Copper gasket 6x10x1,5		
111	V.TB6X8	Vite testa bombata 6x8	Roundhead screw 6x8		
112	W520/16	Vite brugola M5x16	Socket head screw M5x16		
113	W7024375000300	O-ring (17,17x1,78)	O-ring (17,17x1,78)	1	0,50
114	W7074267000100	Raccordo portagomma compl.staffa e o-ring	Hose connector with support and o-ring	1	23,40
115	W310	Paraolio FPJ 20x35x7 doppio labbro	Oilseal FPJ 20x35x7 double lips	1	3,40
116	W10252	Tappo olio TCEM1M12x1,5 completo	Complete oil plug TCEM1M12x1,5	1	7,40
117	W10370	Cuscinetto A.M.BC1-1442B	Insert A.M.BC11-1442B	1	60,20
118	W075/1	Bussola carter 10x10,5x6,5	Crankcase dowel 10x10,5x6,5	1	2,90
119	W7024386000100	Tappo scarico olio M8x1	Oil drain plug M8x1	1	1,10
125	W510/20	Vite brugola M6x20	Socket head screw M6x20		
126	W660/RVA	Guarnizione carburatore d.24-1mm.	Carburettor gasket d.24-1mm.	1	1,20
128	W350/DVS	Convogliatore pacco lamellare DDS/DDJ/DVS	Reed valve pyramid conveyer DDS/DDJ/DVS	1	57,90
130	W351/RKF	Guarnizione convogliatore pacco lamellare	Conveyor reed valve pyramid gasket	1	1,20
131	W7000403000300	Pacco lamellare completo	Complete reed pyramid	1	112,50
132	W393/1KF30	Petalo carbonio sp. 0,30	Carbon petal tickness 0,30	1	21,20
132A	W399/KF	Balestrino carbonio 9/12	Carbon flow deviat 9/12	1	17,30
133	W7000487700100	Fermo lamella	Reed stopper	1	9,10
134	W380	Viti fissaggio lamelle M3x5	Reeds fixing screws M3x5		
135	W480/1	Prigioniero carburatore/pacco lamellare M6x16+R12	Reed valve pyramid/carburettor studbolt M6x16+R12	1	0,70



Rif.	Cod.	Descrizione	Description	N°	€
148	W7024386000300	Bussola 6x8x6	Dowel 6x8x6	1	0,90
149	W7024100000100	Guarnizioni coperchio lato accensione	Ignition side cover gasket	1	4,30
152	W7000207300100	Coperchio lato accensione	Ignition side cover	1	53,00
153	W520/25	Vite brugola M5x25	Socket head screw M5x25		
154	W440	Silent-block fissaggio bobina	Coil fixing silent-block	1	2,90
155	W430/1	Cavetto massa in treccia rame	Ground copper stranded cable	1	4,00
155A	W430	Cavetto massa	Ground cable	1	0,70
156	W570/18	Rondella piana 6x18x1,5	Flat washer 6x18x1,5 ZNB		
157	W570/12	Rondella piana 6x12x1,5 ZNB	Flat washer 6x12x1,5 ZNB		
158	W531/06	Dado esagonale M6x1	Hexagonal nut M6x1		
162	W2036/R0K	Indicatore livello olio M16x1,5	Oil level M16x1,5	1	4,00
165	W7024375000200	Paraolio 16x24x7	Oil seal 16x24x7	1	3,50
166	W407/DDS	Accensione nuda	Bare ignition	1	201,60
167	R.P.5X11	Rondella piana D.5x11x1	Flat washer D.5x11x1		
169	V.TCE5X18	Vite brugola M5x18	Socket-head screw M5x18		
170	W695/1R0K	Dado accensione M12x1 ZNB	Ignition nut M12x1 ZNB	1	4,50
173	W420/2	Pipetta candela per accensione digitale	Spark cap for digital ignition	1	10,60
253	W408/DDJ	Modulo PVL	Module PVL	1	184,80



www.vortex-engines.com

V2112A