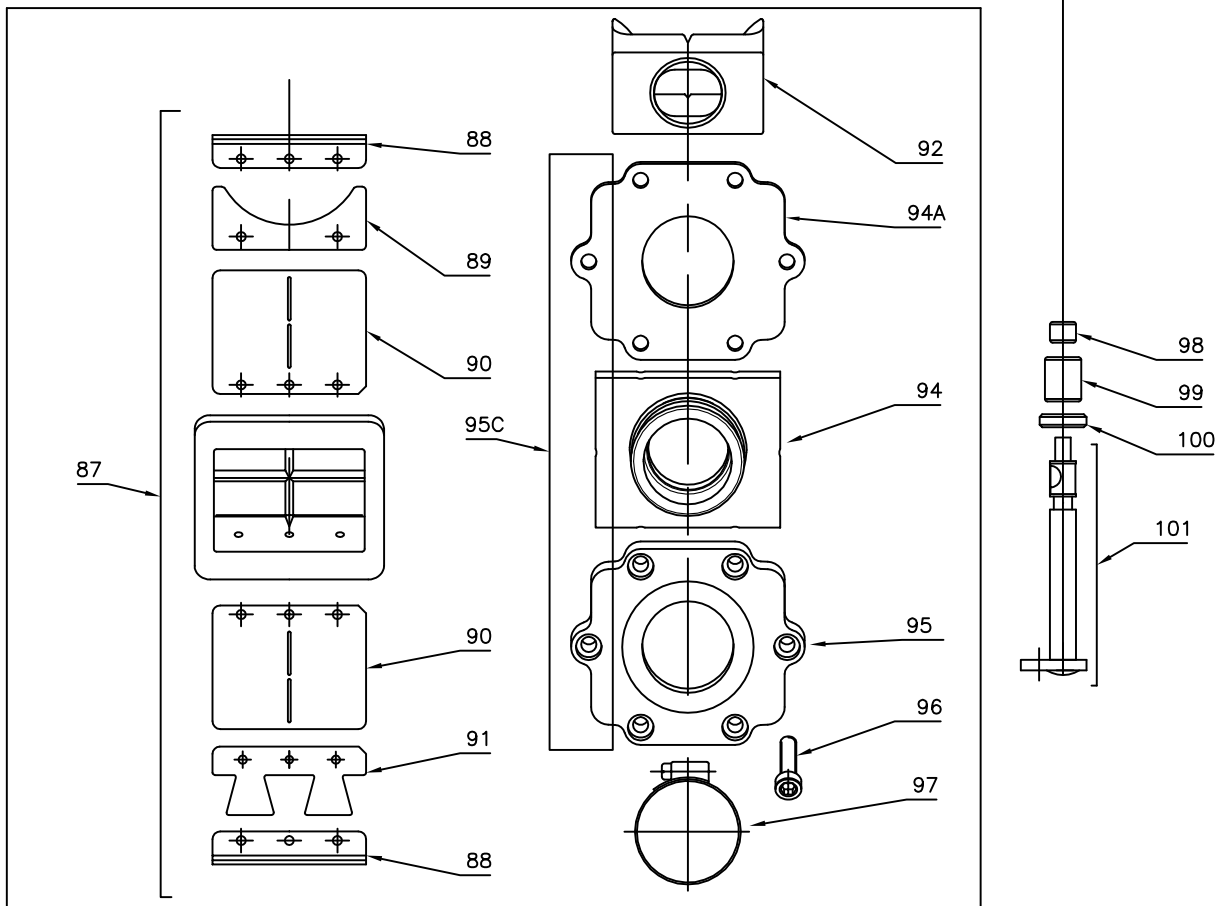
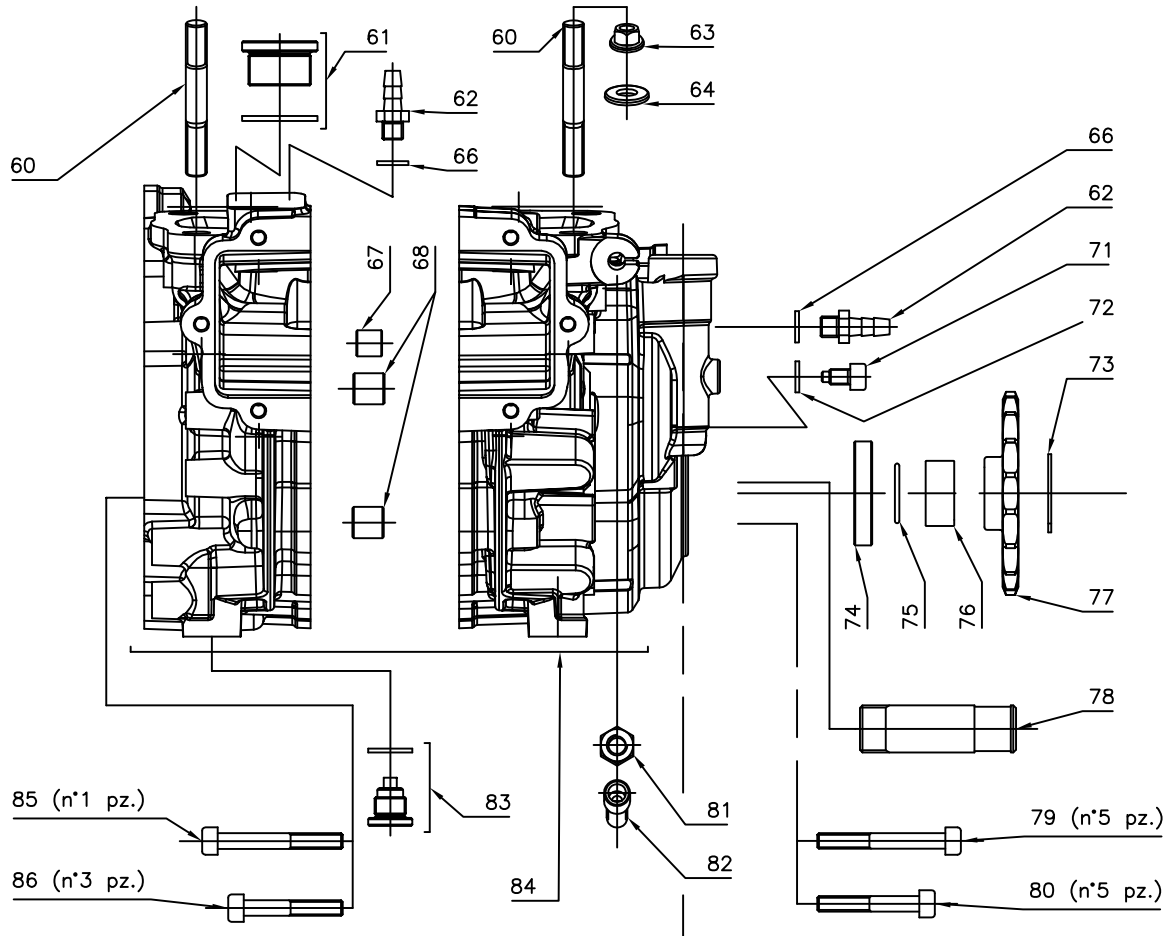
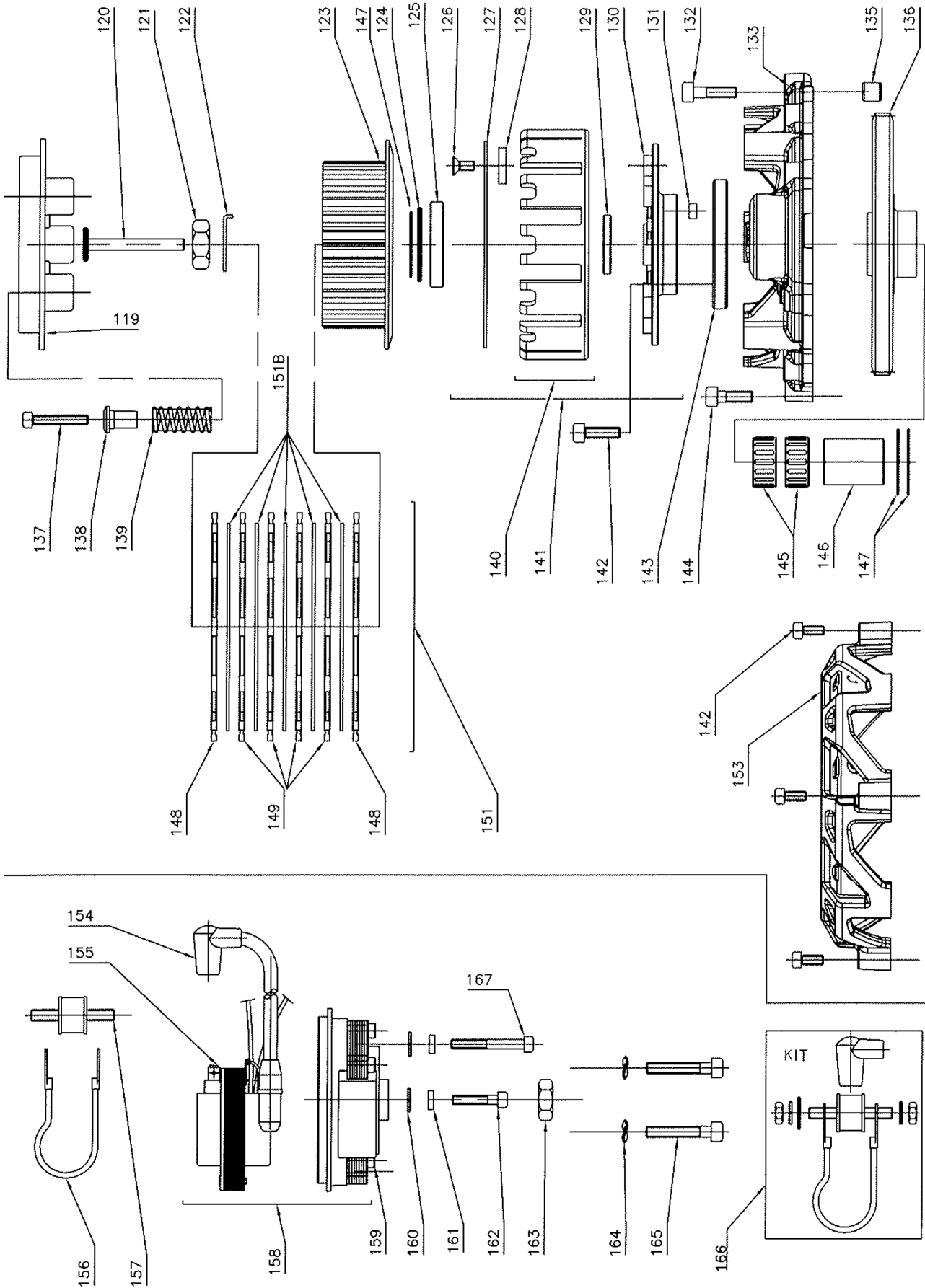


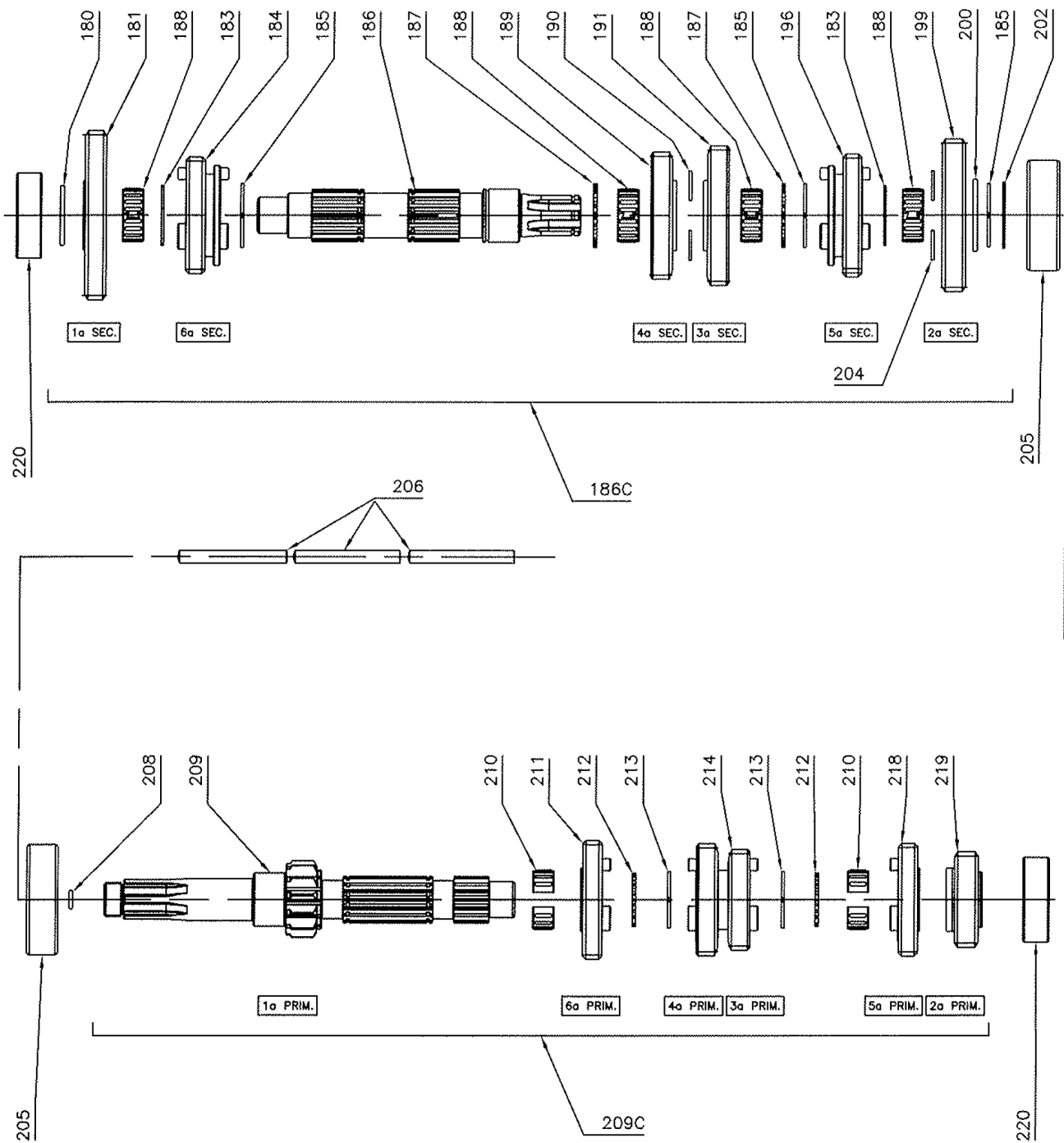
Rif.	Cod.	Descrizione	Description
1	W10021/SHF	Cilindro rok shifter	Cylinder rok SHF
2	W10104/KF1	Guarnizione base cilindro 0.1	Cylinder basis spacer 0,1
2	W10104/KF2	Guarnizione base cilindro 0.2	Cylinder basis spacer 0,2
2	W10104/KF3	Guarnizione base cilindro 0.3	Cylinder basis spacer 0,3
2	W10104/KF4	Guarnizione base cilindro 0.4	Cylinder basis spacer 0,4
2	W10104/KF5	Guarnizione base cilindro 0.5	Cylinder basis spacer 0,5
3	W003	Candela ngk b10 eg	Spark plug ngk b10 eg
4	W10019/1	O-ring esterno cilindro - testa or 2400	Cylinder - head external o-ring or 2400
5	W620	O-ring testa or 2237	Cylinder - head central o-ring or 2237
6	W627	O-ring prigionieri - or 2031	Stud bolt o-ring - or 2031
7	W511/10	Vite tbce m6x10	Roundhead screw m6x10
8	W10662	Guarnizione rame d.6x10x1,5	Copper gasket d.6x10x1,5
9	W530/10FL	Dado m8 chiave 10 flangiato	Nut m8x10
10	W560/17	Rondella m8,2x17x1,5	Washer m8,2x17x1,5
11	W10043	Prigioniero testa/cilindro m8x41	Cylinder/head stud bolt m8x41
12	W10010/SHF	Testa motore SHF	Engine head SHF
13	W260/ROK95	Segmento selezione pistone 53,86	Piston Ring - for piston size 53,86
13	W260/ROK00	Segmento selezione pistone 53,91/53,96	Piston Ring - for piston size 53,91/53,96
13	W260/ROK05	pistone selezione 53,98	Piston Ring - for piston size 53,98
14A	W10126/SHF	Pistone 53,86 completo con spinotto	Complete piston 53.86 with pin
14A	W10131/SHF	Pistone 53,91 completo con spinotto	Complete piston 53.91 with pin
14A	W10136/SHF	Pistone 53,96 completo con spinotto	Complete piston 53,96 with pin
14A	W10138/SHF	Pistone 53,98 completo con spinotto	Complete piston 53,98 with pin
15	W10081	Anellino fermo spinotto	Piston pin circlip
16	W10082	Spinotto pistone d.15	Piston pin d.15
17	W10085	Gabbia piede biella d.15x19x20	Small end needle cage d.15x19x20
18	W10326	Guancetta in nylon	Nylon Stuffer
19	W522/12	Vite tsce m5x12	Fleathed screw m5x12
20	W10310/KF	Ralla argentata d.20.1 a stella	Silver-plated shim d.20,1
21	W10320/B6	Gabbia argentata iko d.20x26x15 b6	Silver-plated cage iko d.20x26x15b6
22	W10315	Asse accoppiamento d.20x50 forato	Crank pin d.20x50
23	W10308/SHF	Biella nuda SHF l.110	Bare conrod SHF 110mm
24	W450	Chiavetta accensione 13x5x3	Ignition key 13x5x3
25	W10353/RVXXC	Semialbero lato trazione completo	Complete SHF half crankshaft sprocket side
26	W10340/RVXXC	Semialbero lato accensione completo	Complete SHF half crankshaft ignition side
27	W10308/1C	Biella completa l.110 SHF	Complete SHF conrod 110mm
30C	W10355/RVXXC	Albero motore completo SHF	Complete crankshaft SHF
31	W10274	Anello elastico sw 15 a.m.	Elastic ring sw 15 crankshaft
33	W10275/3	Pignone trasmissione primaria z17	Primary transmission sprocket z17
34	W10276	Anello elastico sw 19 a.m.	Elastic ring sw 19 crankshaft
35	W310	Paraolio fpj 20x35x7 doppio l.	Oil seal fpj 20x35x7 double lip
36	W10370	Cuscinetto a.m.bc1-1442b	Insert a.m.bc1-1442b



Rif.	Cod.	Descrizione	Description
60	W10044	Prigioniero base cilindro	Cylinder stud bolt
61	W2035/ROK	Tappo olio tce4m / m18 x 1,5 c/ralla	Oil plug tce4m m18x1,5 w/washer
62	W800	Raccordo depressione m8 esagonale	Depression pipe fitting m8 hexagonal
63	W530/10FL	Dado m8 chiave 10 flangiato	Nut m8x10
64	W560/17	Rondella m8,2x17x1,5	Washer m8,2x17x1,5
66	W10267	Guarnizione rame d.8x12x1 rame	Copper gasket d.8x12x1
67	W075/1	Bussola carter d10x10,5x6,5	Crankcase dowel d.10x10,5x6,5
68	W10261	Bussola carter d.12x12x7	Crankcase dowel d.12x12x7
71	W10660	Vite ferma leva frizione	Clutch lever retain screw
72	W10662	Guarnizione rame d.6x10x1,5	Copper gasket d.6x10x1,5
73	W10560	Anello seeger a-20	Seeger a-20
74	W10552	Paraolio pignone d.25x40x7	Sprocket oil seal d.25x40x7
75	W10549	O-ring distanziale pignone - or 2075	Sprocket spacer o - ring 2075
76	W10550/1	Anello distanz. Pignone 20x25x12,4	Sprocket spacer o - ring 20x25x12,4
77	W10556	Pignone catena z16	Chain sprocket Z16
-	W10554	Pignone catena z17	Chain sprocket Z17
-	W10558	Pignone catena z18	Chain sprocket Z18
78	W10235	Raccordo acqua carter	Crankcase water pipe fitting
79	V.TCE6x55	Vite tce 6x55	Socket-head screw 6x55
80	V.TCE6x40	Vite tce 6x40	Socket-head screw 6x40
81	W530/06	Dado esagonale 8ma	Hexagonal nut 8ma
82	W10650	Registro cavo frizione	Clutch cable register
83	W10252	Tappo olio tce m12 x 1,5 completo	Complete oil plug tce m12x1,5
84	W10240/RVXX	Carter completo SHF	Complete crankcase SHF
85	V.TCE6x65	Vite tce m6x65	Socket-head screw m6x65
86	V.TCE6x50	Vite tce m6x50	Socket-head screw m6x50
87	W10248/RVZ	Piramide lamellare completa SHF/RVZ	Complete reed valve pyramid SHF/RVZ
88	W10253	Piastrina stopper SHF	Reed valve pyramid stopper SHF
89	W10216	Rinforzo lamella superiore	Top reed stiffener
90	W10221	Lamella superiore piramide lam.	Top reed petal pyramid
90	W10221/M	lamella inferiore piramide lam.	Bottom reed petal pyramid
91	W10215	Rinforzo lamella inferiore	Bottom reed stiffener
92	W10247/1RVZ	Convogliatore interno pir. Lamell.	Reed valve pyramid internal conveyor
94	W10268/RVZ2S	Piastrina gomma collett. aspiraz. 69X55 RKZ/SHF	Rubber inlet manifold 69x55 RKZ/SHF
94/A	W10351/1RVX	Guarnizione pacco lam. AFM 31 RKZ/SHF	Reed valve pyramid gasket RKZ/SHF
95	W10268/RKZ1S	Flangia collettore aspirazione 69x55 RKZ/SHF	Flange for manifold 69x95 RKZ/SHF
95/C	W10268/RKZS	Collettore aspirazione 69x55 RKZ/SHF	Inlet manifold 69x55 RKZ/SHF
96	V.TCE6x16	Vite tce m6x16	Socket-head screw m6x16
97	W10277	Fascetta carburatore	Carburettor clamp
98	W10654	Astuccio a rullini hk 0608	Roller case hk 0608
99	W10656	Astuccio a rullini hk 1015	Roller case hk 1015
100	W10658	Paraolio leva frizione d.10x18x4	Clutch lever oil seal d.10x18x4
101	W10652/RVX	Leva frizione	Clutch lever

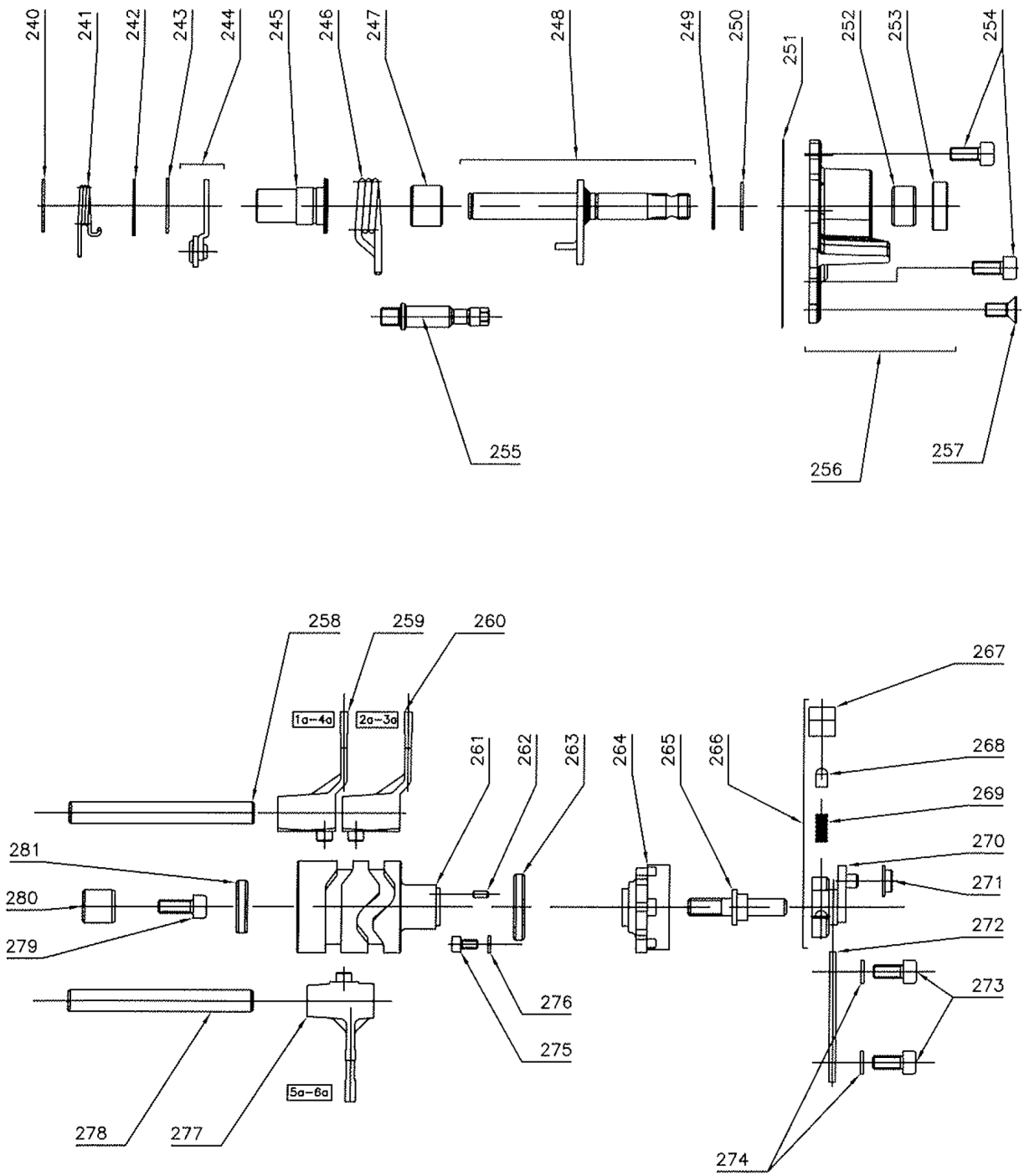


Rif.	Cod.	Descrizione	Description
119	W10612/RVXX	Coperchio spingidisco frizione	Clutch disks cover
120	W10644	Fungo spingidisco	Clutch lifter
121	W10620	Dado tamburo frizione	Clutch drum nut
122	W10611	Fermo dado tamburo frizione	Drum nut retainer
123	W10610/RVXXC	Tamburo frizione completo	Complete clutch drum
147	W10607	Ralla trasm. Primaria as 2035	Primary transmission washer as 2035
124	W10624	Ralla tamburo frizione d. 20x40x2	Clutch drum washer d.20x40x2
125	W10673	Distanziale mozzo friz. Parastrappi	Clutch drum spacer for damper
126	W522/10	Vite tsce m5x10	Flathead screw m5x10
127	W10671	Coperchio parastrappi	Damper cover
128	W10672	Gommino parastrappi	Damper rubber
129	W10626	Paraolio campana frizione g25x32x44	Clutch housing oil seal g25x32x4
130	W10670/RKZ	Piatto parastrappi RKZ/SHF	Damper plate RKZ/SHF
131	W10636	Linguetta 4x4x8 campana frizione	Clutch housing key 4x4x8
132	V.TCE6x30	Vite tcce m6x30	Socket-head screw m6x30
133	W10211/RVXX	Coperchio trasm.primaria SHF	Primary transmission cover SHF
135	W075/1	Bussola carter d.10x10,5x6,5	Crankcase dowel d.10x10,5x6,5
136	W10280/3	Ingranaggio trasmissione primaria Z67	Primary transmission gear Z67
137	V.TCE5x30	Vite tcce m5x30	Socket-head screw m5x30
138	W10634	Distanziale molla frizione m5	Clutch spring spacer m5
139	W10618	Molla frizione	Clutch spring
140	W10608/RKZC	Campana frizione con anello RKZ/SHF	Clutch housing RKZ/SHF
141	W10670/RKZC	Campana frizione con parastrappi RKZ/SHF	Complete clutch housing with damper RKZ/SHF
142	V.TCE6x20	Vite tcce m6x20	Socket-head screw 6x20
143	W10642	Paraolio cop. Trasmis. Primaria d.55x70x8	Primary transmission cover oil seal d.55x70x8
144	V.TCE6x25	Vite tcce m6x25	Socket-head screw 6x25
145	W10640	Gabbia primaria k25x29x13	Primary cage k25x29x13
146	W10606/1	Anello interno lr 20x25x38,5	Internal ring lr 20x25x38,5
147	W10607	Ralla trasm. Primaria as 2035	Primary transmission washer as 2035
148	W10616	Disco guarnito	Lined disk
149	W10616/1	Disco guarnito	440
151	W10615	Kit dischi frizione RKZ/SHF	Clutch disks kit RKZ/SHF
151B	W10614/1	Disco nudo in ferro	Iron bare disk
153	W10625/RVXX	Carterino frizione RKZ/SHF	Clutch guard RKZ/SHF
154	W420/2	Pipetta candela	Spark cap
155	W410/14	Bobina PVL 105 458	105 458 PVL coil
156	W430	Cavetto massa	Ground cable
157	W440	Silent-block fissaggio bobina	Coil fixing silent-block
158	W400/14	Accensione pvl completa (bobina 105 4858 / rotore 0955 / statore 1081)	PVL Complete ignition (coil 105 4858 / rotor 0955 / stator 1081)
159	W405/4	Accensione pvl nuda (rotore 0955 / statore 1081)	PVL ignition (Rotor 0955 / stator 1081)
160	W570/12	Rondella piana 6x12x1,5	Flat washer 6x12x1,5
161	W580/1	Rondella piana d.5,2x13x3	Flat washer d.5,2x13x3
162	V.TCE5x30	Vite tcce m5x30	Socket-head screw m5x30
163	W695	Dado rotore accensione	Ignition rotor nut
164	W571/12	Rondella elastica d.6x12	Elastic washer d.6x12
165	V.TCE6x35	Vite tcce m6x35	Socket-head screw m6x35
166	W445	Kit fissaggio bobina completo	Coil fixing kit complete
167	V.TCE5x40	Vite tcce m5x40	Socket-head screw m5x40

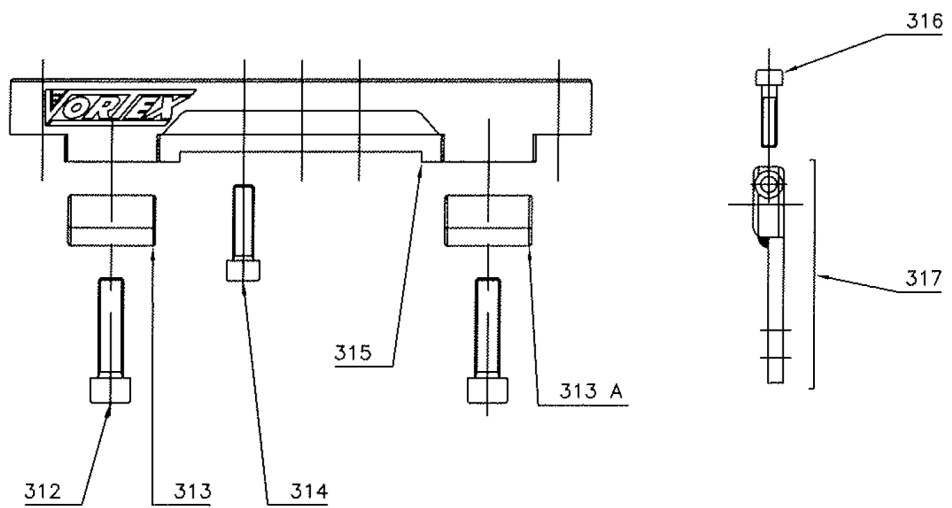
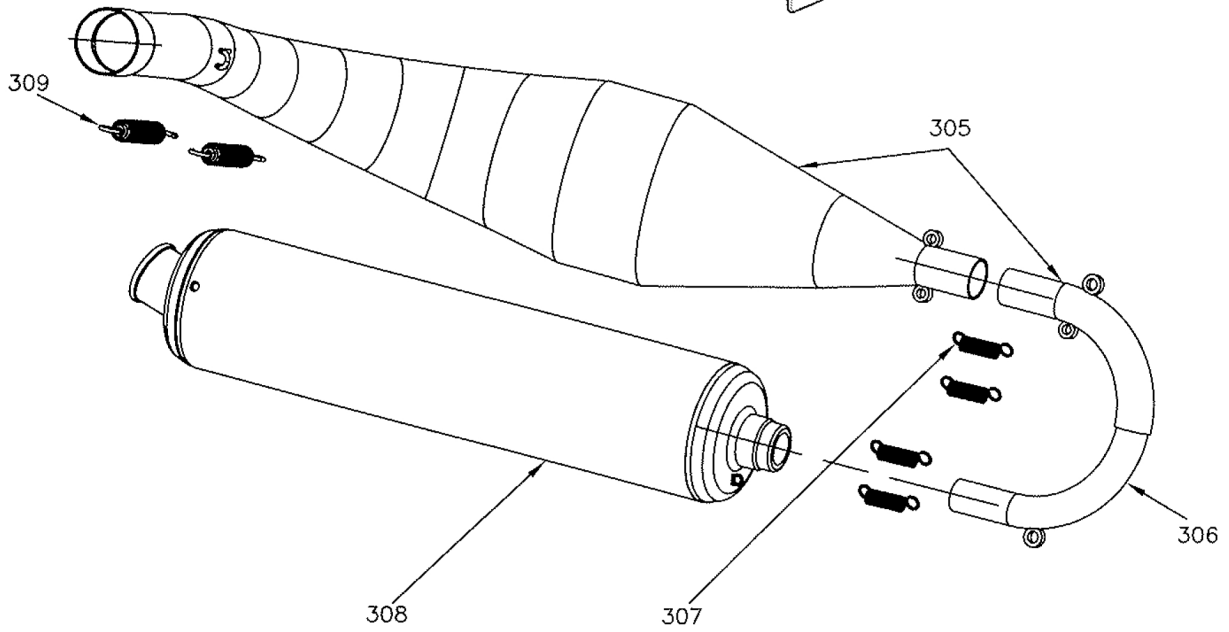
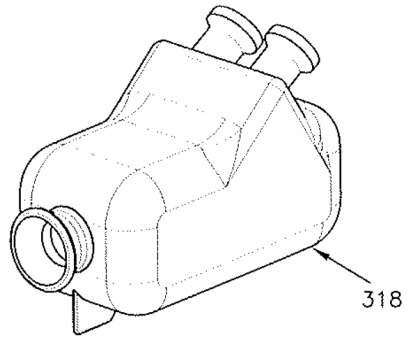
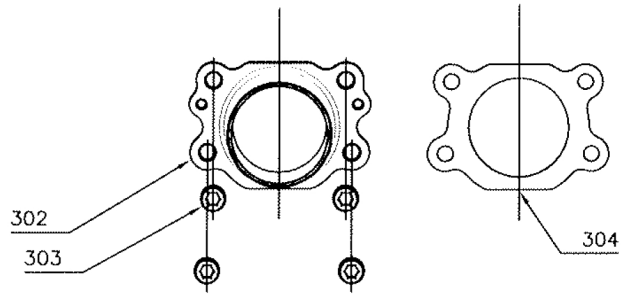
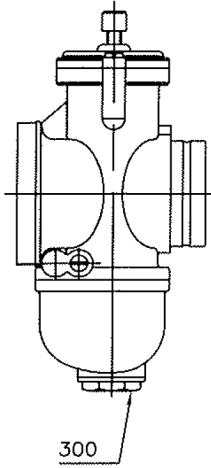


222 ALBERI PRIMARIO E SECONDARIO COMPLETI CON CUSCINETTI
 PRIMARY AND SECONDARY SHAFTS COMPLETE WITH BEARINGS
 ARBRES PRIMAIRE ET SECONDAIRE COMPLETS AVEC ROUEMENTS

Rif.	Cod.	Descrizione	Description
180	W10522	Ralla rasamento cuscinetto d.17x29x2	Bearing washer d.17x29x2
181	W10524/2	Ingranaggio 1a albero secondario Z 33	Gear 1st countershaft Z 33
183	W10503	Rondella acc. Cambio d.21x29x1	Gearbox washer d.21x29x1
184	W10530/4	Ingranaggio 6a albero secondario Z 25	Gear 6th countershaft Z 25
185	W10532/2	Anello seeger d.25 esterno tornito	Seeger d.25 external
186	W10520/1	Albero secondario RKZ/SHF	Countershaft RKZ/SHF
186C	W10520/RKZC	Albero secondario completo RKZ/SHF	Complete countershaft RKZ/SHF
187	W10523	Ralla brocciata albero secondario d. 25	Secondary broached washer d.25
188	W10526	Gabbia k21x25x10	Cage k21x25x10
189	W10536/4	Ingranaggio 4a albero secondario Z 22	Gear 4th countershaft Z 22
190	W10538	Ralla spaccata 29x21.2x1	Split washer 29x21.2x1
191	W10540/1	Ingranaggio 3a albero secondario Z 24	Gear 3rd countershaft Z 24
196	W10544/4	Ingranaggio 5a albero secondario Z 23	Gear 5th countershaft Z 23
199	W10546/5	Ingranaggio 2a albero secondario Z 29	Gear 2nd countershaft Z 29
200	W10533	Ralla spallam. Cambio d.25x32x1,5	Gearbox washer d.25x32x1,5
202	W10535	Ralla cambio d.25x35x0,5	Gearbox washer d.25x35x0,5
204	W10538	Ralla spaccata 29x21.2x1	Split washer 29x21.2x1
205	W300/A4	Cuscinetto 6205 c4	Insert 6205 c4
206	W10668/1	Asta alza frizione	Clutch lifter rod
207	W300/C32RS	Cuscinetto 6205	insert 6205
208	W10646	O-ring fungo spingidisco or 2025	Clutch lifter o-ring 2025
209	W10502/1	Albero primario Z 13 RKZ/SHF	Mainshaft Z13 RKZ/SHF
209C	W10502/3C	Albero primario Z 13 completo RKZ/SHF	Complete mainshaft Z13 RKZ/SHF
210	W10504	Gabbia spaccata d.18x22x10	Split cage d.18x22x10
211	W10506/3	Ingranaggio 6a albero primario Z 27	Gear 6th mainshaft Z 27
212	W10508	Ralla brocciata albero primario d.22	Broached washer primary shaft d.22
213	W10510/2	Anello seeger d.22 esterno	Seeger d.22 external
214	W10512/3	Ingranaggio 3a/4a albero primario Z 16-Z 18	Gear 3rd/4th mainshaft Z 16-Z 18
218	W10514/3	Ingranaggio 5a albero primario Z 22	Gear 5th mainshaft Z 22
219	W10516/3	Ingranaggio 2a albero primario Z 16	Gear 2nd mainshaft Z 16
220	W10518	Cuscinetto 6203 c4 17x40x12	Insert 17x40x12 6203 c4



Rif.	Cod.	Descrizione	Description
240	W10417	Rondella elastica posizionate d.15x24x1	locating sprig washer d.15x24x1
241	W10419	Molla posizionate marce	locating spring
242	W10415	Seeger a - 17	Seeger a - 17
243	W10416	Ralla boccola preselettore d.17x25x1	Pawl bush washer d.17x25x1
244	W10431/C	Leva posizionate marce completa	Complete locating lever
245	W10414	Boccola per posizionate marce	Locating bush
246	W10403	Molla preselettore	Preselector spring
247	W10402/1	Distanziale molla preselettore	Preselector spring spacer
248	W10400/1	Perno preselettore cambio completo	Complete gearbox preselector pin
249	W10421	Anello seeger a - 12	Seeger a - 12
250	W10420	Ralla perno preselettore d.12x22x1	Preselector pin washer d.12x22x1
252	W10440	Astuccio a rullini hk 1212	Roller case hk 1212
253	W10448	Paraolio preselettore d.12x22x7	Preselector oil seal d.12x22x7
254	W510/14	Vite tce m6x14	Socket-head screw m6x14
255	W10404/1	Fermo molla preselettore rinforzato	Preselector spring stop reinforced
256	W10453/RVXXC	Coperchio preselett.cambio completo SHF	Complete gearbox preselector cover SHF
257	W512/14	Vite tce m6x14	Flathed screw m6x14
258	W10539	Asta forchette d.10x85	Shifter forks pin d.10x85
259	W10426	Forcella 1a e 4a marcia	1st and 4th speed shifter fork
260	W10425	Forcella 2a e 3a marcia	2nd and 3rd speed shifter fork
261	W10570/RKZ	Albero desmodromico RKZ/SHF	Shift cam RKZ/SHF
262	W10571	Rullo desmodromico d.3x7,8	Roller cam d.3x7,8
263	W10575	Cuscinetto desmo sx 6803	Insert cam left 6803
264	W10405/RKZ	Stella selettore	Preselector cam
265	W10407	Perno stella selettore	Preselector cam pin
266	W10406/C	Assieme selettore porta cricchetti	Complete preselector ratchet wheel
267	W10408	Cricchetto	Preselector ratchet driving dog
268	W10409	Puntalino cricchetti	Driving dogs spring cap
269	W10410	Molla cricchetti	Driving dogs spring
270	W10406	Selettore porta cricchetti	Preselector ratchet wheel
271	W10401	Ruotina preselettore	Preselector crank wheel
272	W10411	Piastrina cricchetti	Driving dogs retain plate
273	W510/14	Vite tce m6x14	Socket-head screw m6x14
274	W570/12	Rondella piana 6x12x1,5	Flat washer d.6x12x1,5
275	V.TCE4x8	Vite tce m4x8	Socket-head screw m4x8
276	W585/09	Rondella piana m4x9	Flat washer 4x9
277	W10423	Forcella 5 e 6 velocita'	5th and 6th speed shifter fork
278	W10539	Asta forchette d.10x85	Shifter forks pin d.10x85
279	V.TCE6x16	Vite tce m6x16	Socket-head screw m6x16
280	W10576	Boccola porta cuscinetto desmo	Shift cam bearing support
281	W10574	Cuscinetto desmo dx 6802/a	Insert cam right 6802/a



Rif.	Cod.	Descrizione	Description
300	W10812/RVX	Carburatore dellorto vhsh 30	Dellorto carburettor vhsh 30
302	W10930	Collettore scarico	Exhaust manifold
303	W510/14	Vite tcce m6x14	Socket-head screw m6x14
304	W10935	Guarnizione scarico	Exhaust gasket
305	W10920/SHF	Marmitta completa SHF	Complete muffler SHF
306	W10914/ROK	Curva marmitta SHF	Muffler bent pipe SHF
307	0059.00	Molla silenziatore corta	Short silencer spring
308	0208.00	Silenziatore in alluminio	Alluminium Silencer
308	W10900/SHF	Silenziatore Shifter ACI-CSAI	ACI-CSAI Shifter silencer
309	W10036	Molla marmitta	Exhaust spring
312	V.TCE10x40	Vite tcce m10x40	Socket-head screw m10x40
313	0039.V30	Cavallotto 92x30 mm	Bracket 92x30 mm
313A	0039.V30A	Cavallotto 92x30 mm fr	Bracket 92x30 mm fr
314	V.TCE8x30	Vite tcce m8x30	Socket-head screw m8x30
315	W10964/RVXX	Piastra motore nuda RVZ/SHF	Bare engine clamp RVZ/SHF
316	V.TCE6x25	Vite tcce m6x25	Socket-head screw m6x25
317	W10444	Leva cambio	Gearbox lever
318	0225.GLB29	Silenziatore d'aspirazione LB29	Intake silencer LB29



vortex-engines.com